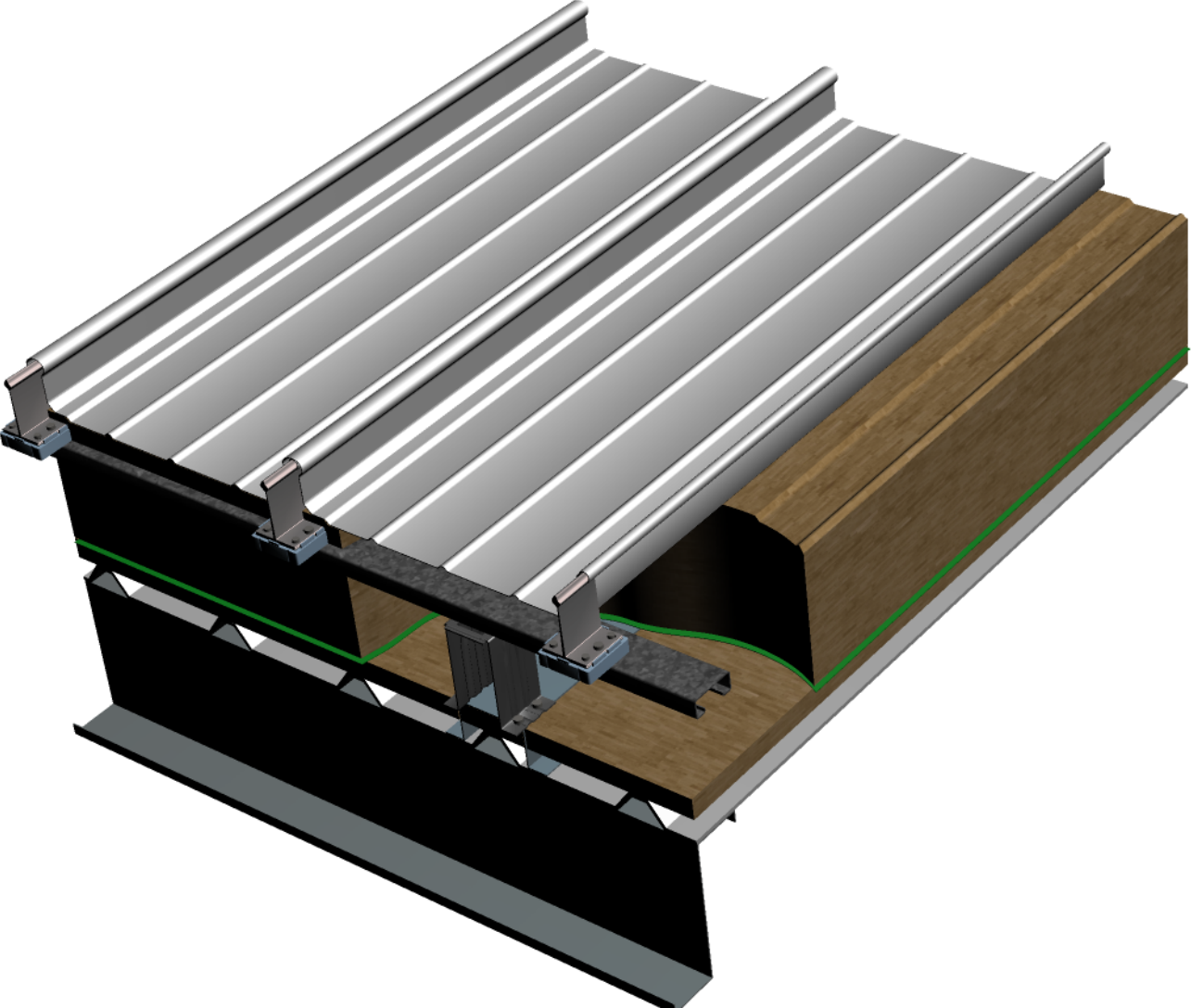



CLICK IMAGE TO ENABLE 3D - REQUIRES FREE ADOBE READER 8.1 OR ABOVE



REV	DESCRIPTION	DATE	DRN BY: PCI	 This drawing is copyright to Euroclad Ltd, Cardiff CF3 2ER. Tel 02920 790722 Fax 02920 770479	EUROSEAM TYPICAL DETAILS: STD ACOUSTIC CONSTRUCTION	
			CHKD: P CI			
			DATE: Aug 05			
			SCALE: NTS		DRAWING No. ESAc1	REV.